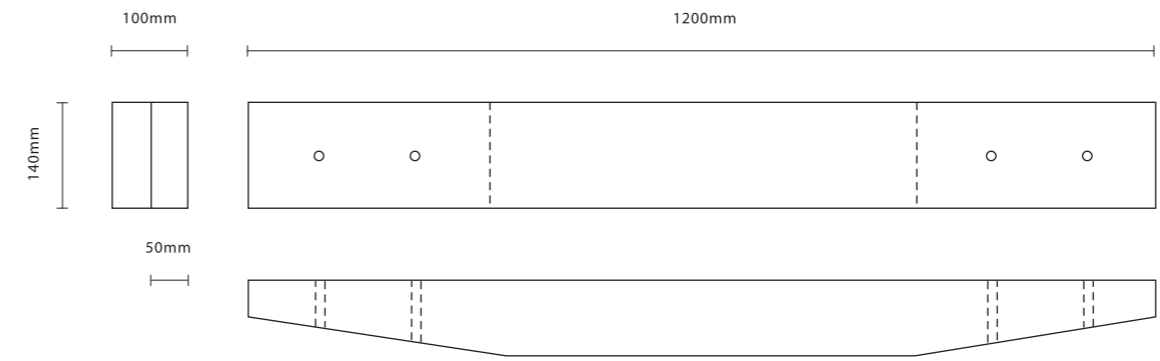


Coach-crewed and pegged Saddle Timber

Saddle, Beam and Posts in reclaimed oak

Unmarked or scaled-off dimensions are all Nominal.

2200mm above floor level



Minimum Lengths/Sections to be sourced:

- X2 W200mm x D220mm x L2600mm
- X1 W260mm x D220mm x L920mm
- X1 W140mm x D100mm x L1200mm

Important: All dimensions to be confirmed by the Builder on site prior to ordering timbers.

400mm below floor level

Screed Floor Level

Jon Melton Design jon.melton.co.uk	
Project: Reinstatement of Oak Beams following internal alterations from sourced Reclaimed Oak originals	
Drawing Title: Saddle, Beam and Posts	
No Scale - utilise dimensions	
Date: 2012	Drawing No. JMD/70