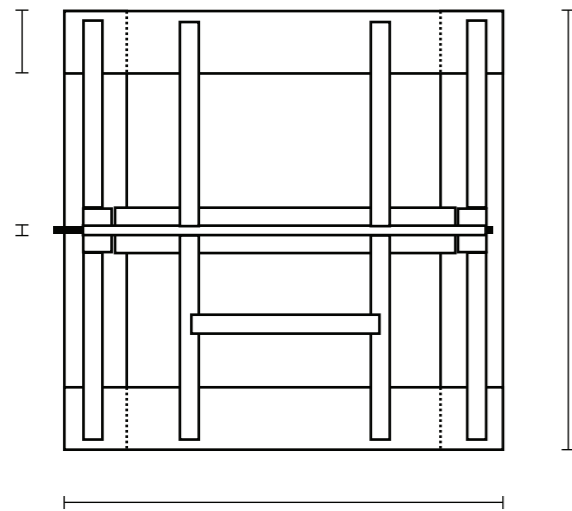


# Rotting Norfolk Well Head and Canopy

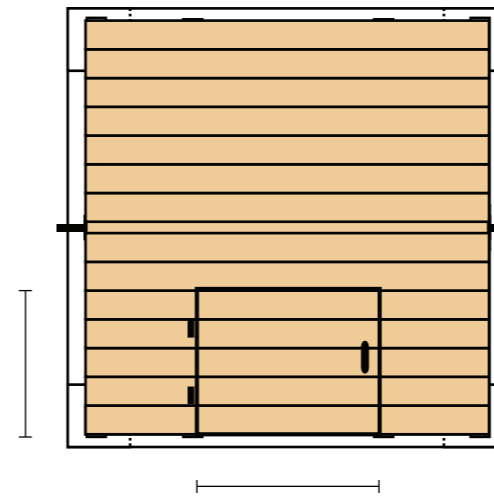
Unmarked or scaled-off  
Imperial dimensions are all  
Nominal.



**Canopy Dimensions:**

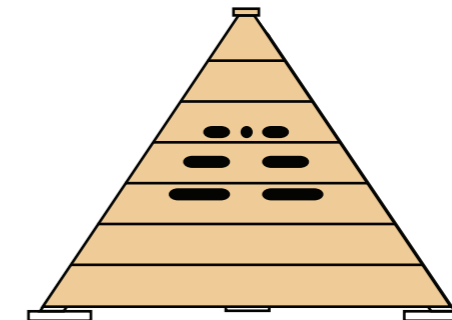
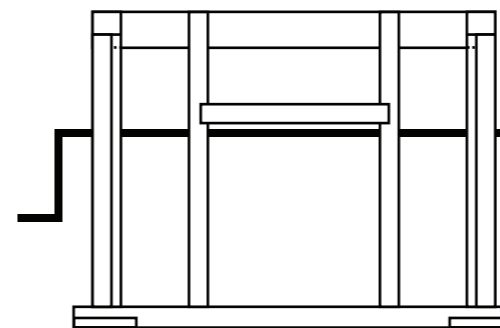
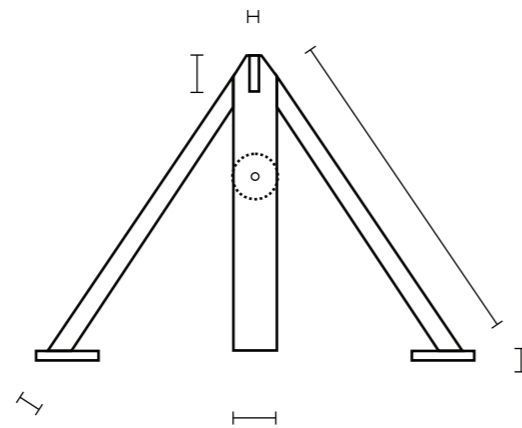
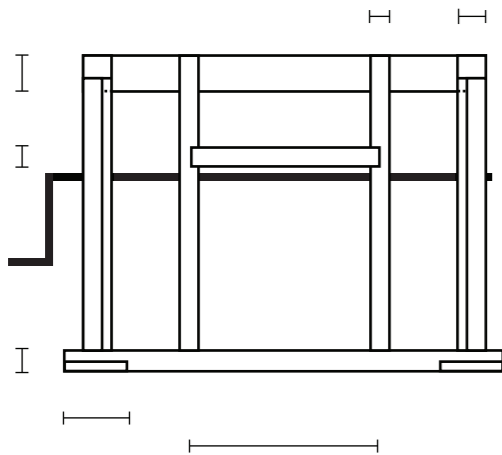
Complete Canopy 58" x 58" x 39"  
(Nominal to fit Norfolk Red Brick base)

- Post Uprights 39" x 5 3/4" x 3 3/4"
- Roof Trusses 44" x 3" x 2 1/2"
- Flat Base Planks 58" x 8 1/4" x 2 3/4"
- Ridge Beam 53 1/4" x 4 3/4" x 1 1/4"
- Hatch Perlin Unknown
- Chain Reel 45" x 6"  $\Phi$  with approx 1" bore



**(Deal) Cladding Dimensions:**

- TG Cladding 5" x 1/2"
- Side Vents: 1 1/4" x 3 1/8"  
1 1/4" x 5 3/4"  
1 1/4" x 7 1/2"
- Bottom Gap 1 1/2"
- Ridge Cap 53" x 3" x 1/2"
- Bucket Hatch Unknown  
(Evident position from wrought iron hinges)



Jon Melton Design [jon.melton.co.uk](http://jon.melton.co.uk)

Project:  
Archive Drawing of Mid 19th  
Century Well Head

Constructed in Softwood (Deal)  
with Wrought Iron mechanism

Drawing Title:  
Canopy and Cladding

No Scale - in Imperial dimensions

Date:  
2006

Drawing No.  
JMD/01